



motoalliance



IMPACT
IMPLEMENTS

Pro Middle Buster
IP4490_BK

INSTALLATION INSTRUCTIONS

Pro Middle Buster IP4490_BK



Please verify that all hardware and parts are included in your package. For replacement parts, please visit our website: www.motoalliance.com

Part#	Qty	Item Description
1	1	Middle Buster Frame
2	1	16" Shank Weldment Assembly
3	1	Middle Buster Adapter
4	2	5/8" Bent Hitch Pin

ASSEMBLY

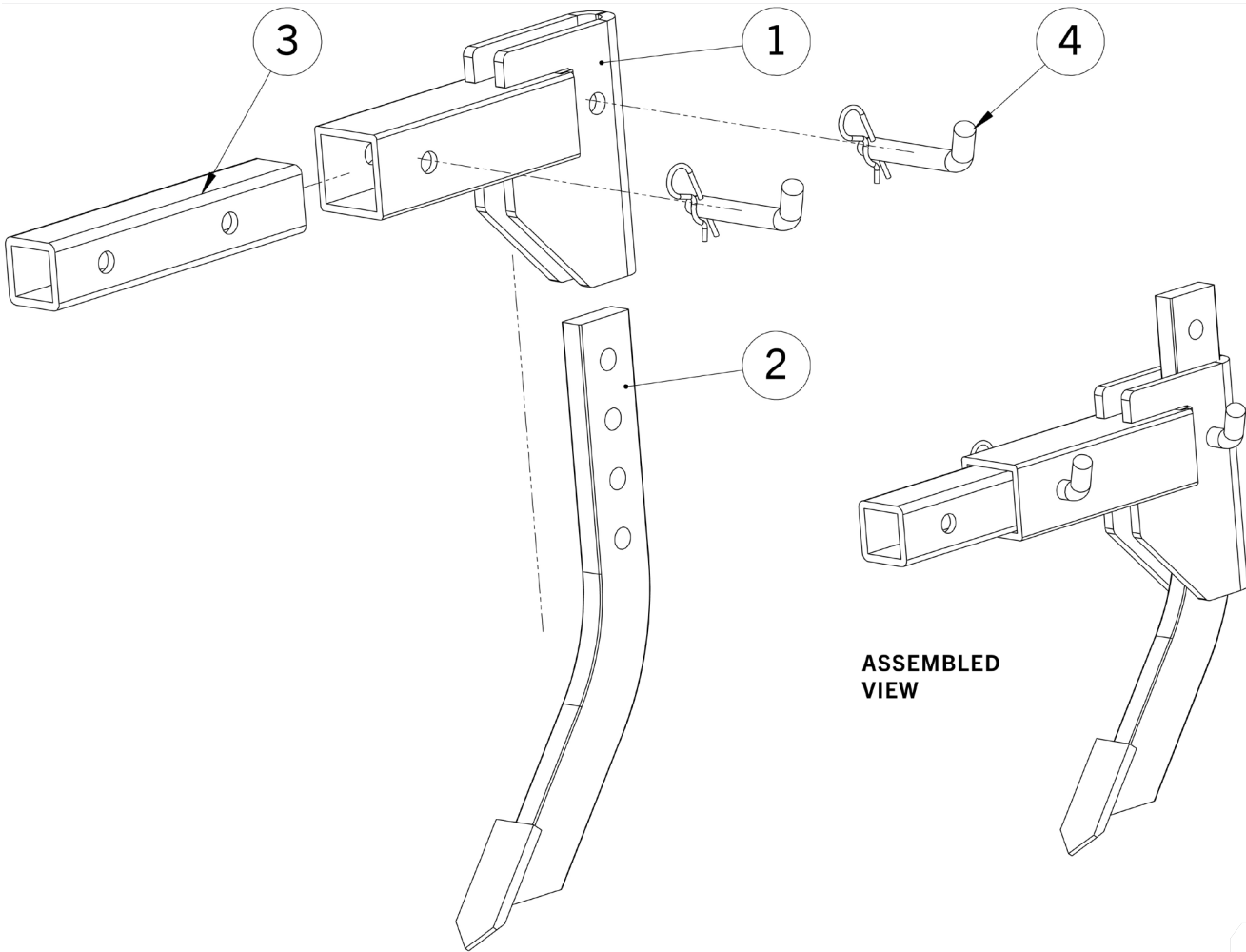


FIGURE 1

FURTHER ASSISTANCE

Scan the QR code to get more tech help, watch troubleshooting videos, or submit a help form on motoalliance.com

